

# 5105, 5110 SERIES

## Heavy-Duty Vertical Hold Down Clamps | Product Overview

### Features:

- High strength forged clamping arm for heavy-duty service
- Hardened steel pivot pins and bushings provide long life
- Black oxide finish
- Large clearance under the clamping bar
- DESTACO® Toggle Lock Plus™ versions available†

### Applications:

- Welding fixtures
- Assembly fixtures



Covered under one or more U.S./International Patents

5105/5110  
Flanged Base



5105-B/5110-B  
Solid Base



5105-R/5110-R  
Flanged Base  
DESTACO®  
Toggle Lock  
Plus™



5105-BR①/5110-BR①  
Solid Base  
DESTACO®  
Toggle Lock  
Plus™



## Technical Information

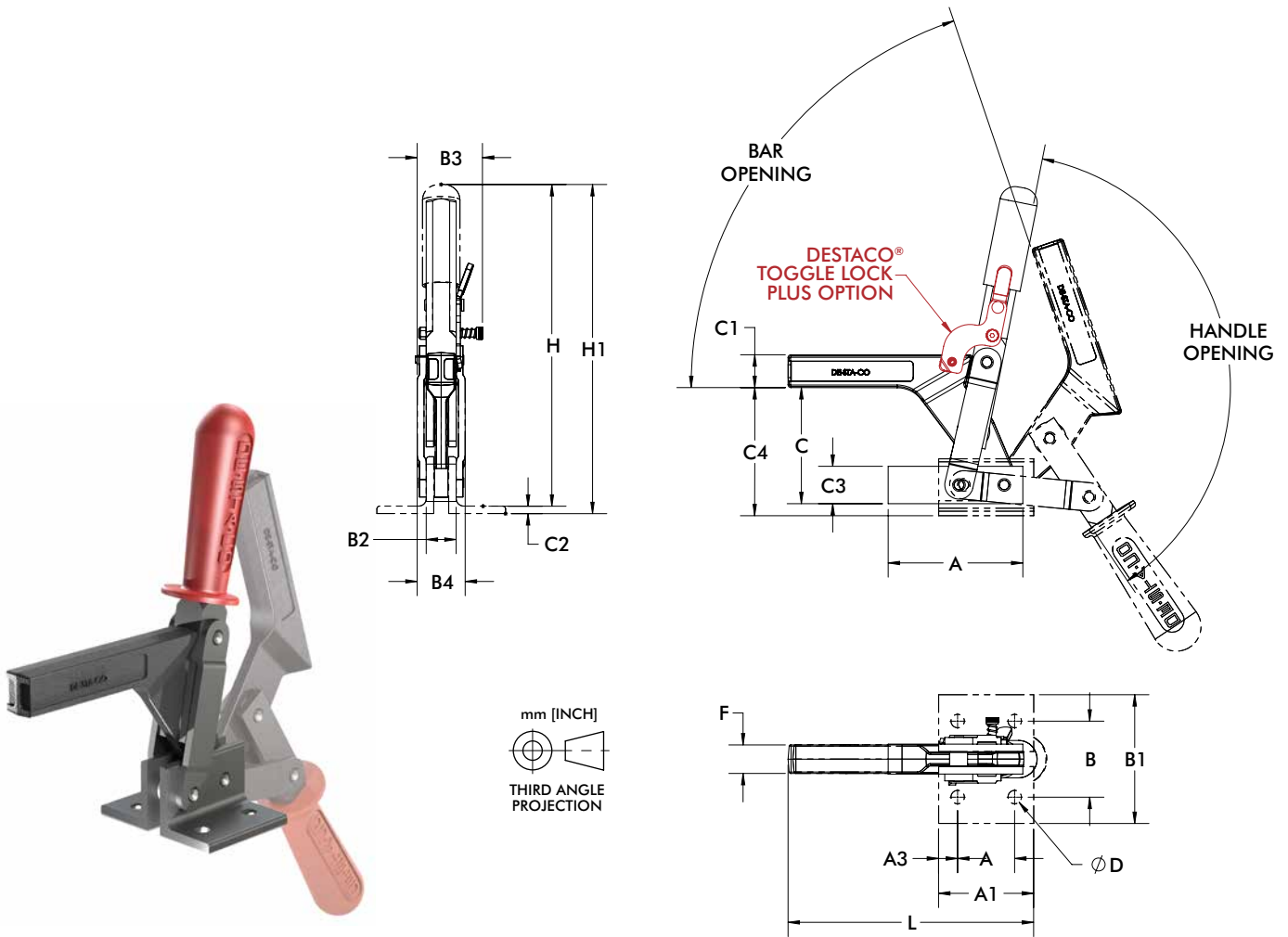
Model	Max. Holding Capacity	Clamp Bar Opening (+10°)	Handle Opening (+10°)	Weight
5105	[700lbf.] 3100N	89°	159°	[1.12lbs] 0,51kg
5105-B				[1.06lbs] 0,48kg
5105-R				[1.10lbs] 0,50kg
5105-BR①				[1.17lbs] 0,53kg
5110	[1150lbf.] 5100N	74°	138°	[2.98lbs] 1,35kg
5110-B				[2.95lbs] 1,34kg
5110-R				[3.00lbs] 1,36kg
5110-BR①				[3.02lbs] 1,37kg

① This item is available upon request.

† Toggle Lock Plus™ locks the handle in the closed position only.

# 5105, 5110 SERIES

## Heavy-Duty Vertical Hold Down Clamps | Dimensions



mm [INCH]  
THIRD ANGLE PROJECTION

Model	A	A1	A2	B	B1	B2	B3	B4	C1	C2	C4	D	F	H1	L
5105	[1.00] 25,4	[1.62] 41,2	[0.31] 7,9	[1.46] 37	[2.24] 57	[0.59] 15	--	[0.98] 25	[0.51] 13,0	[0.16] 4,0	[2.54] 64,6	[0.26] 6,6	[0.56] 14,3	[6.54] 166,1	[4.13] 104,9
5105-R							[1.48] 37,5								
5110	[1.50] 38,1	[2.50] 63,5	[0.50] 12,7	[2.00] 50,8	[2.76] 70	[0.79] 20	--	[1.26] 32	[0.87] 22,0	[0.20] 5,0	[3.37] 85,6	[0.35] 9,0	[0.75] 19,1	[8.70] 221,1	[6.33] 160,9
5110-R							[1.67] 42,5								

Model	A3	B2	B3	B4	C	C1	C3	F	H
5105-B	[2.50] 63,5	[0.59] 15	--	[0.98] 25	[2.14] 54,3	[0.51] 13,0	[0.59] 15,0	[0.56] 14,3	[6.14] 156,0
5105-BR <sup>①</sup>			[1.48] 37,5						
5110-B	[3.54] 90	[0.79] 20	--	[1.26] 32	[3.05] 77,5	[0.87] 22,0	[0.98] 25,0	[0.75] 19,1	[8.39] 213,0
5110-BR <sup>①</sup>			[1.67] 42,5						

① This item is available upon request